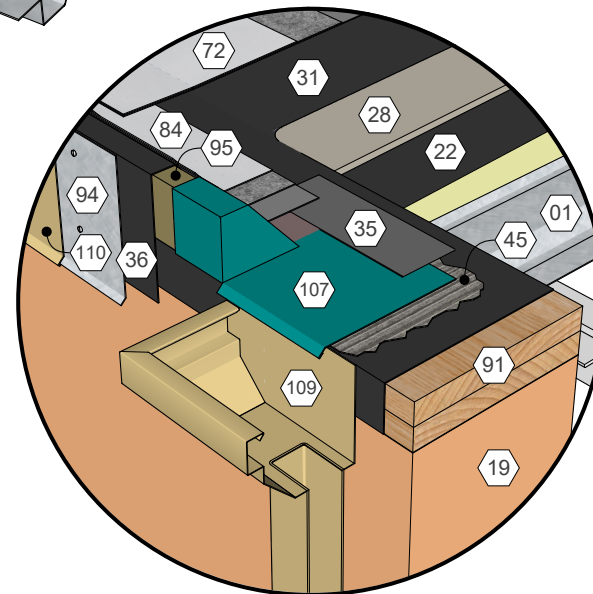
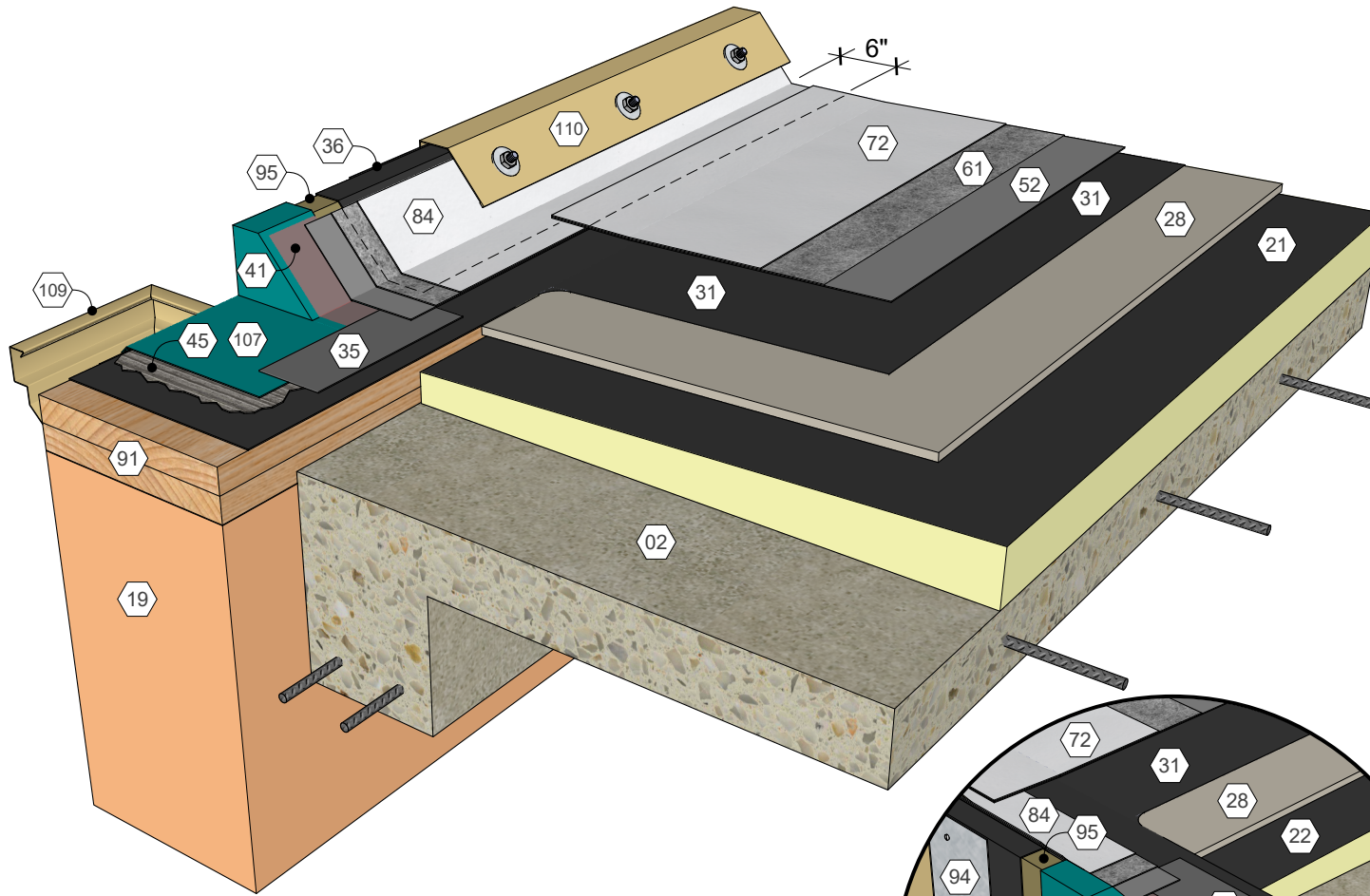


## KEY NOTES

- 01 Metal Deck
- 09 Roof Structure
- 19 Wall Assembly
- 22 Polyisocyanurate Insulation (Fastened or Adhered)
- 28 Cover Board (Adhered)
- 31 Approved Base Ply Sheet
- 35 Stripping Ply
- 36 Base Sheet Liner
- 41 Approved Primer
- 45 Roofing Mastic
- 52 AlphaGuard BIO Base Coat
- 61 AlphaGuard Glass Mat or Permafab
- 72 AlphaGuard BIO Top Coat
- 84 AlphaGuard Flashing
- 91 Wood Blocking
- 94 Continuous Cleat
- 95 Cant Strip
- 107 Sheet Metal Scupper
- 109 Sheet Metal Conductor Head
- 110 Sheet Metal Fascia Cap

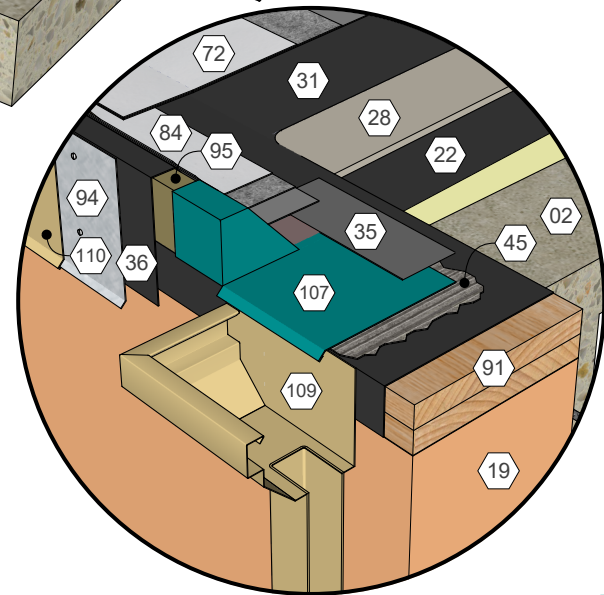


AlphaGuard® BIO Plus Through-Wall Scupper Detail, Metal Deck  
Detail 23231



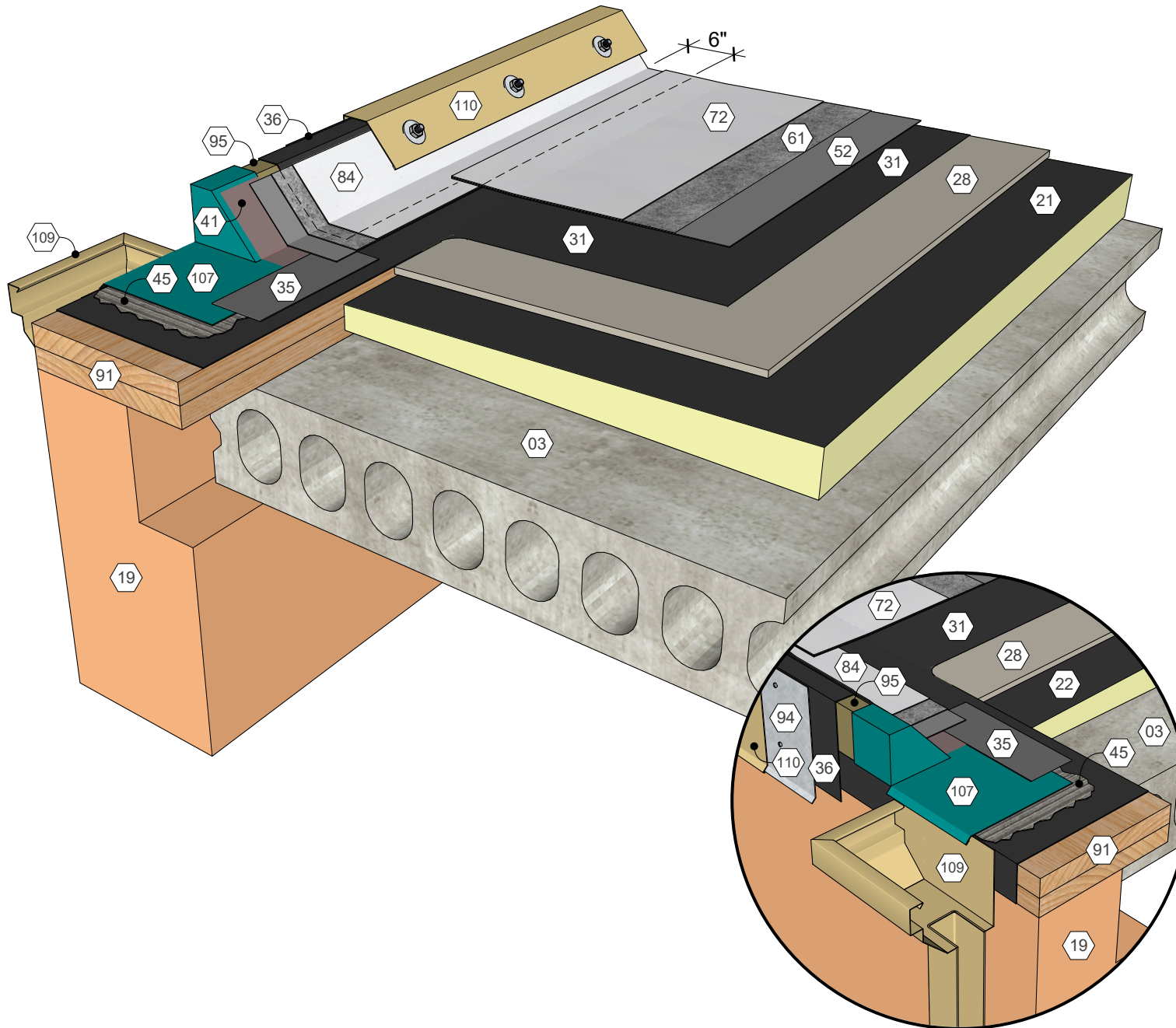
### KEY NOTES

- 02 Structural Concrete Deck
- 09 Roof Structure
- 19 Wall Assembly
- 21 Polyisocyanurate Insulation (Adhered)
- 28 Cover Board (Adhered)
- 31 Approved Base Ply Sheet
- 35 Stripping Ply
- 36 Base Sheet Liner
- 41 Approved Primer
- 45 Roofing Mastic
- 52 AlphaGuard BIO Base Coat
- 61 AlphaGuard Glass Mat or Permafab
- 72 AlphaGuard BIO Top Coat
- 84 AlphaGuard Flashing
- 91 Wood Blocking
- 94 Continuous Cleave
- 95 Cant Strip
- 107 Sheet Metal Scupper
- 109 Sheet Metal Conductor Head
- 110 Sheet Metal Fascia Cap



AlphaGuard® BIO Plus Through-Wall Scupper Detail, Structural Concrete Deck  
 Detail 23232





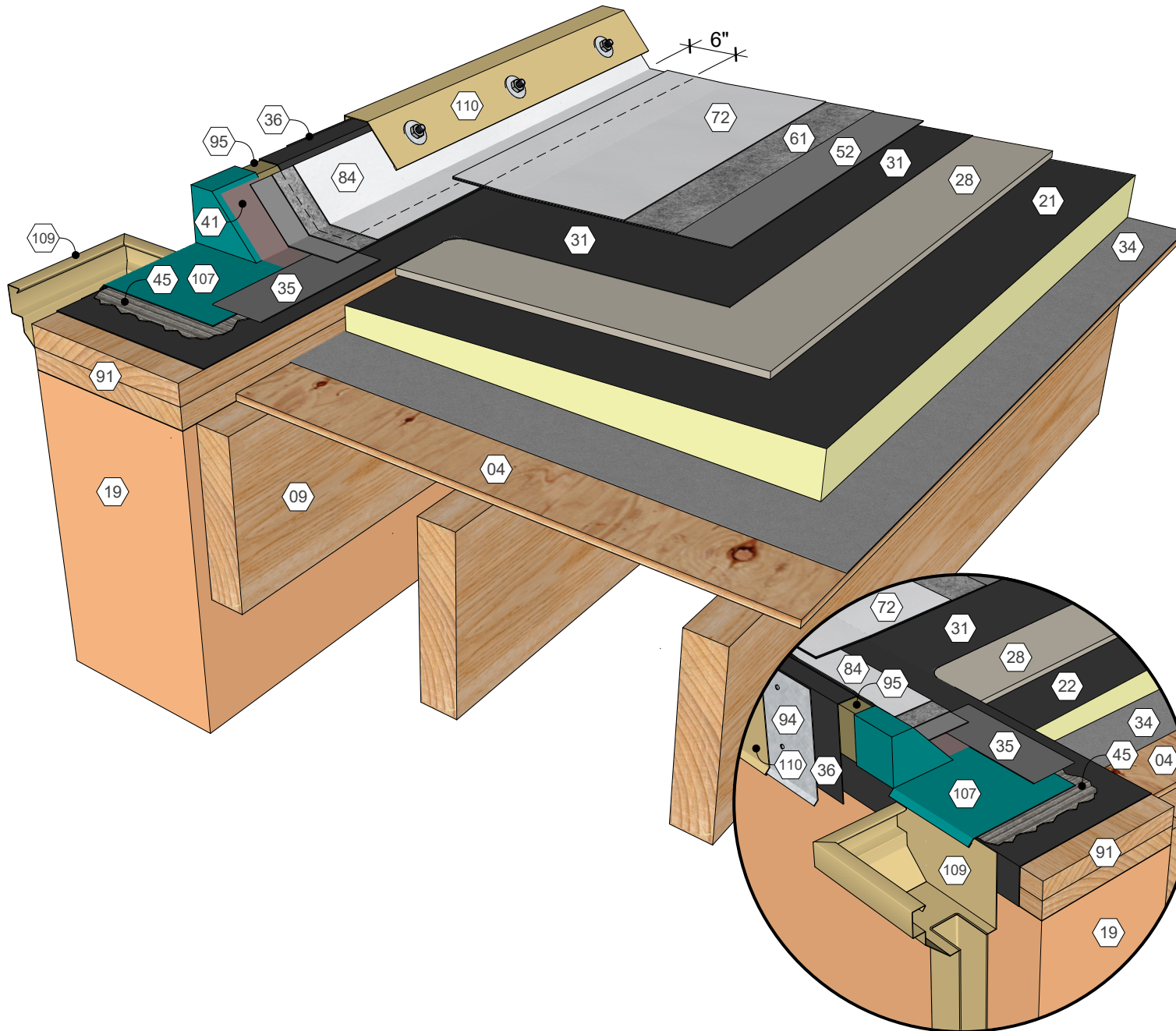
## KEY NOTES

- 03 Precast Concrete Deck
- 09 Roof Structure
- 19 Wall Assembly
- 21 Polyisocyanurate Insulation (Adhered)
- 28 Cover Board (Adhered)
- 31 Approved Base Ply Sheet
- 35 Stripping Ply
- 36 Base Sheet Liner
- 41 Approved Primer
- 45 Roofing Mastic
- 52 AlphaGuard BIO Base Coat
- 61 AlphaGuard Glass Mat or Permafab
- 72 AlphaGuard BIO Top Coat
- 84 AlphaGuard Flashing
- 91 Wood Blocking
- 94 Continuous Cleat
- 95 Cant Strip
- 107 Sheet Metal Scupper
- 109 Sheet Metal Conductor Head
- 110 Sheet Metal Fascia Cap

AlphaGuard® BIO Plus Through-Wall Scupper Detail, Precast Concrete Deck  
Detail 23233

**TREMCO**  
ROOFING & BUILDING MAINTENANCE



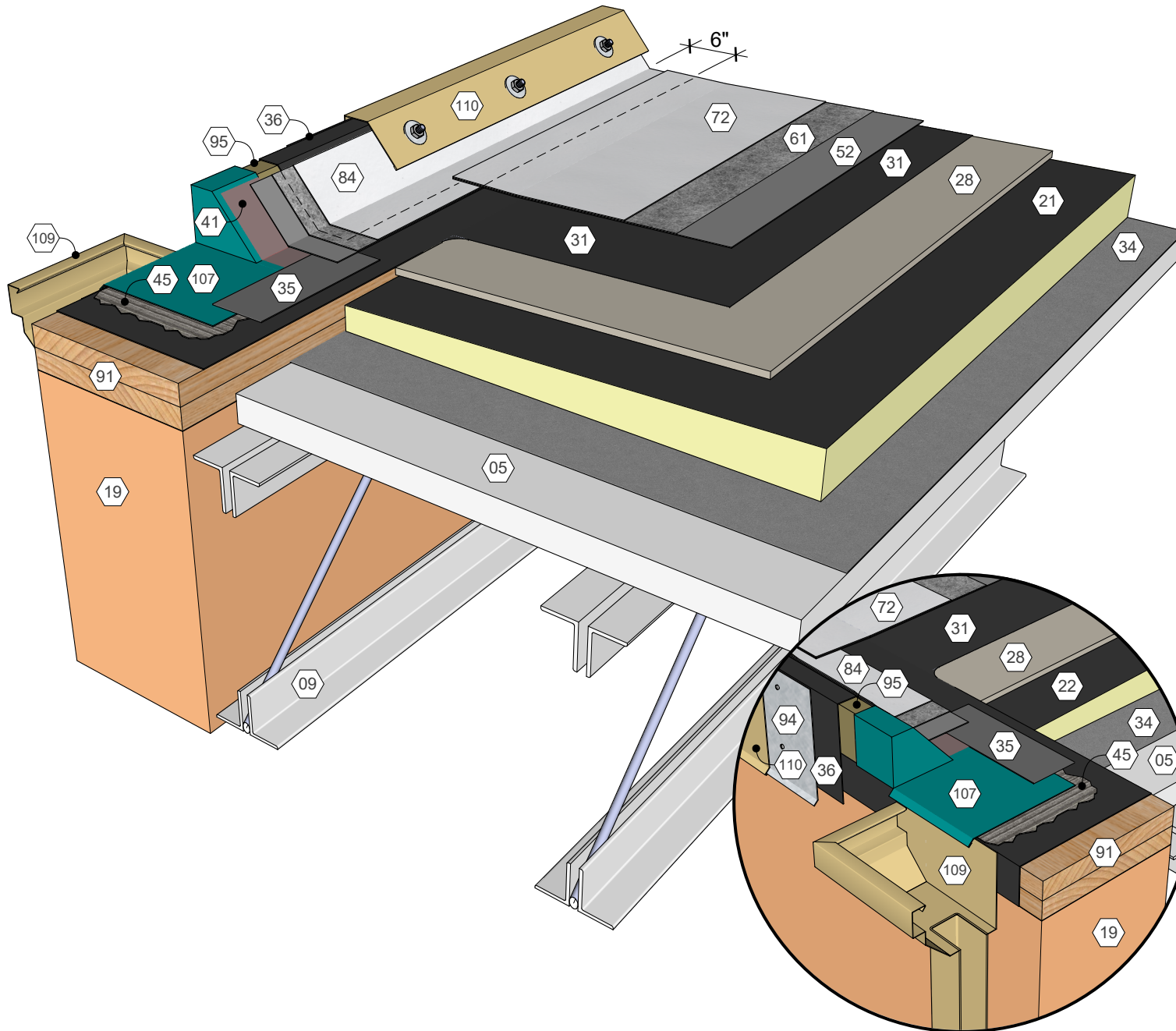


## KEY NOTES

- 04 Wood Deck
- 09 Roof Structure
- 19 Wall Assembly
- 21 Polyisocyanurate Insulation (Adhered)
- 28 Cover Board (Adhered)
- 31 Approved Base Ply Sheet
- 34 Base Sheet (Fastened)
- 35 Stripping Ply
- 36 Base Sheet Liner
- 41 Approved Primer
- 45 Roofing Mastic
- 52 AlphaGuard BIO Base Coat
- 61 AlphaGuard Glass Mat or Permafab
- 72 AlphaGuard BIO Top Coat
- 84 AlphaGuard Flashing
- 91 Wood Blocking
- 94 Continuous Cleat
- 95 Cant Strip
- 107 Sheet Metal Scupper
- 109 Sheet Metal Conductor Head
- 110 Sheet Metal Fascia Cap

AlphaGuard® BIO Plus Through-Wall Scupper Detail, Wood Deck  
Detail 23234





## KEY NOTES

- 05 Gypsum Deck
- 09 Roof Structure
- 19 Wall Assembly
- 21 Polyisocyanurate Insulation (Adhered)
- 28 Cover Board (Adhered)
- 31 Approved Base Ply Sheet
- 34 Base Sheet (Fastened)
- 35 Stripping Ply
- 36 Base Sheet Liner
- 41 Approved Primer
- 45 Roofing Mastic
- 52 AlphaGuard BIO Base Coat
- 61 AlphaGuard Glass Mat or Permafab
- 72 AlphaGuard BIO Top Coat
- 84 AlphaGuard Flashing
- 91 Wood Blocking
- 94 Continuous Cleat
- 95 Cant Strip
- 107 Sheet Metal Scupper
- 109 Sheet Metal Conductor Head
- 110 Sheet Metal Fascia Cap

AlphaGuard® BIO Plus Through-Wall Scupper Detail, Gypsum Deck  
Detail 23235

**TREMCO**  
ROOFING & BUILDING MAINTENANCE